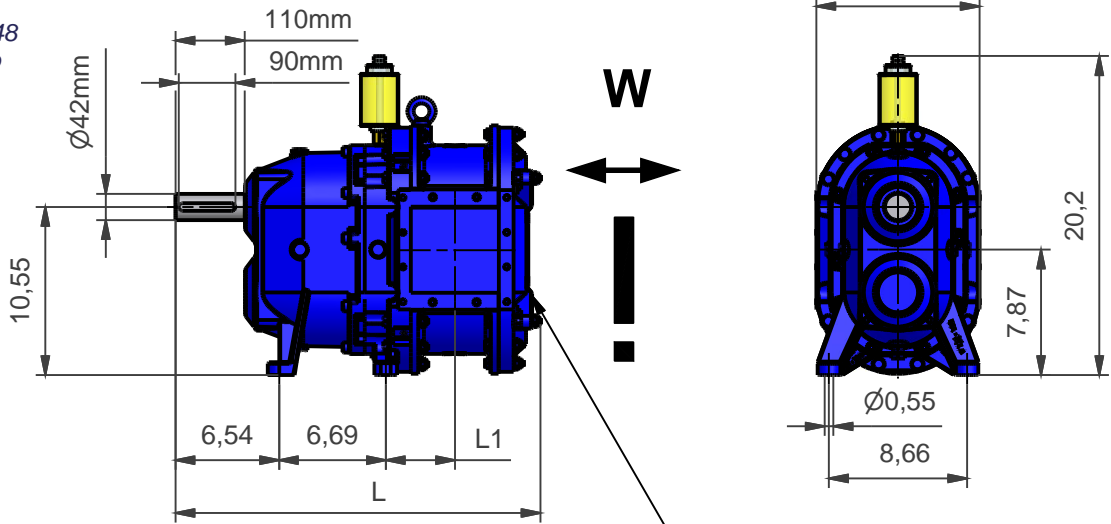


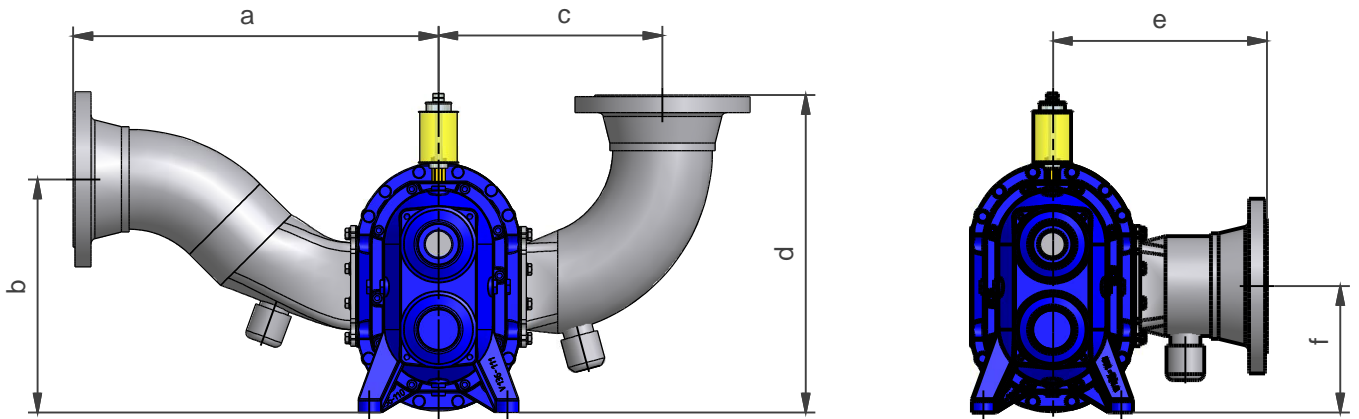
# Dimensions Range: VX136Q

shaft end acc. to DIN748  
keyway and key acc. to  
DIN6885 sheet 1



### Attention

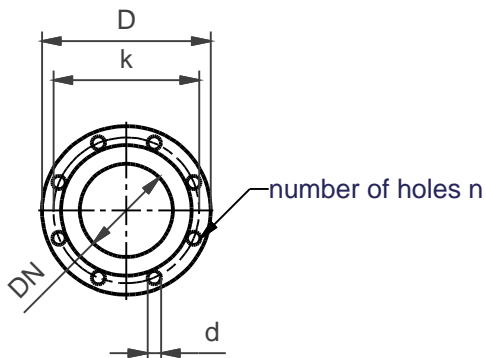
space required for maintenance work  
W = 30 inches min.,  
40 inches recommended



(not recommended)

size VX136 -	pump dimensions		ANSI - flange					gooseneck		90° elbow		straight		weight (lb)	
	L1	L	DN	d	D	k	n	a	b	c	d	e	f	1)	2)
70Q	2,97"	19,49"	4"	0,75"	9"	7,5"	8	17,72"	12,60"	11,02"	16,54"	12,60"	7,87"	225	270
105Q	3,66"	20,87"						22,83"	14,57"	13,98"	19,88"	13,39"		245	295
140Q	4,35"	22,24"	6"	0,88"	11"	9,5"		22,83"	14,57"	13,98"	19,88"	13,39"		265	360
210Q	5,73"	25,00"						335	425						

- 1) weight: pump without pipe connections
- 2) weight: pump with gooseneck pipe connections



size VX136 -	gooseneck		90° elbow		straight	
	article-no	pcs.	article-no	pcs.	article-no	pcs.
70Q	GPA.012		GPA.080		GPA.026	
105Q	GPA.060		GPA.081		GPA.070	
140Q	GPA.014		GPA.082		GPA.028	
210Q	GPA.016		GPA.083		GPA.030	

changes of dimensions reserved  
dimensions without indication  
of tolerances acc. to DIN ISO 2768, rough

<b>Vogelsang USA</b> 7966 State Route 44 P. O. Box 751 Ravenna, OH 44266 USA		<b>VOGELSANG</b>	
© Copyright		Drawing No.: IZ0401289	
dimensions shown in inches fabrication tolerance is ± .12"		Drawn By: Lohrey	Date: 30.04.2004
		checked By:	Date: