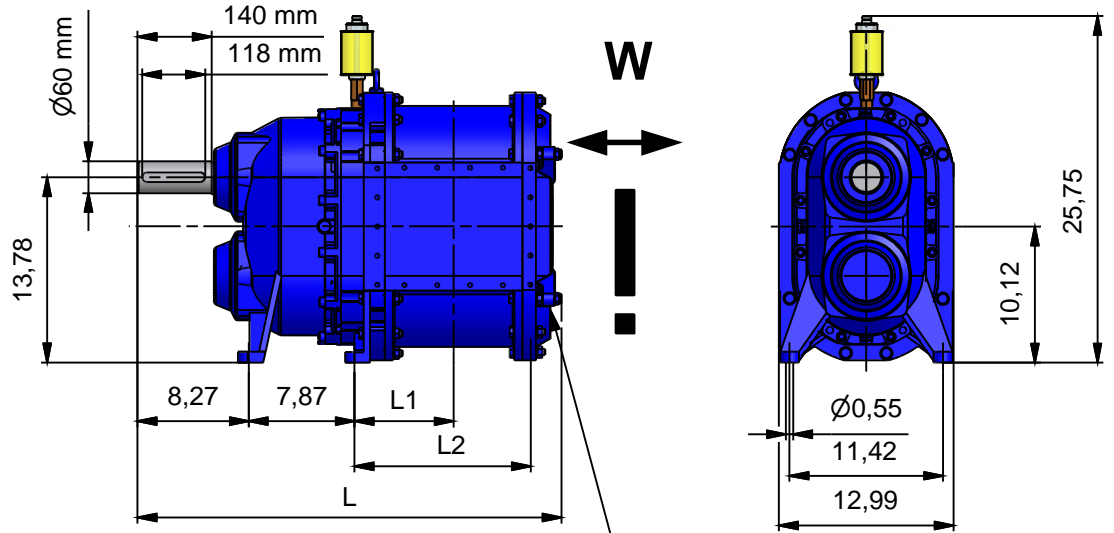


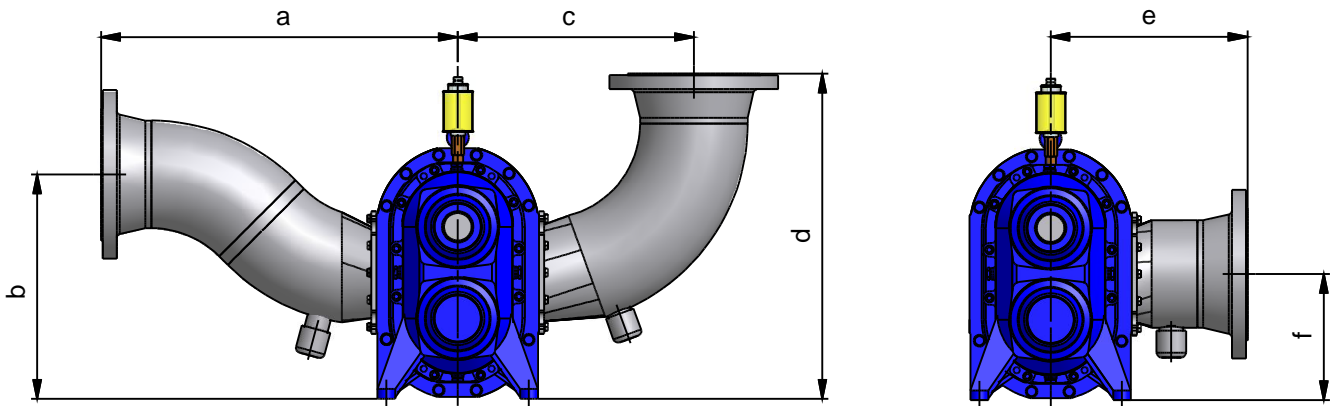
# Dimensions Range: VX186Q

shaft end acc. to DIN748  
keyway and key acc. to  
DIN6885 sheet 1



### Attention

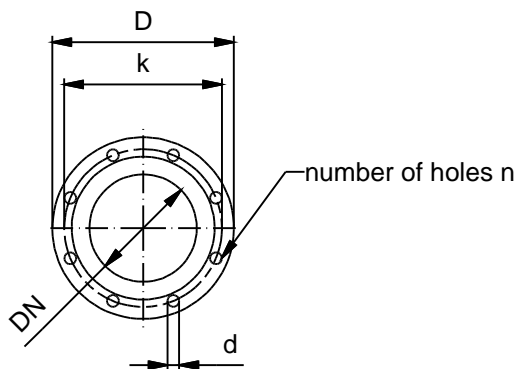
space required for maintenance work  
W = 40 inches min., 60 inches recommended



(not recommended)

size VX186-	pump dimensions			ANSI-flange					gooseneck	90° elbow		straight		weight (lb)		
	L1	L2	L	DN	d	D	k	n	a	b	c	d	e	f	1)	2)
92Q	4,12"	on request	24,39"	6"	0,88"	11"	9,5"	8	19,09"	16,81"	15,35"	22,13"	14,76"	10,12"	475	570
130Q	4,86"	on request	25,89"						24,21"						510	610
184Q	5,93"	on request	28,01"						28,54"						560	655
260Q	7,42"	on request	31,00"	8"	13,5"	11,75"	12	17,99"	18,90"	26,06"	15,75"	620	785			
368Q	on request	on request	on request	10"	1"	16"			14,25"	25,24"	28,39"	29,14"	17,72"	on request	on request	

- 1) weight: pump without pipe connections
- 2) weight: pump with gooseneck pipe connections



size VX186-	connectors					
	gooseneck		90° elbow		straight	
	article-no	pcs.	article-no	pcs.	article-no	pcs.
92Q	GPA.150		GPA.160		GPA.170	
130Q	GPA.151		GPA.161		GPA.171	
184Q	GPA.156		GPA.162		GPA.176	
260Q	GPA.157		GPA.163		GPA.177	
368Q	GPA.149		GPA.132		GPA.178	

changes of dimensions reserved  
dimensions without indication  
of tolerances acc. to DIN ISO 2768, rough

**Vogelsang USA**  
7966 State Route 44  
P. O. Box 751  
Ravenna, OH 44266 USA  
© Copyright  
dimensions shown in inches  
fabrication tolerance is ±.12"



Drawing No.: IZ0400703 R.1  
Drawn By: Lohrey Date: 18.03.2004  
checked By: Date: