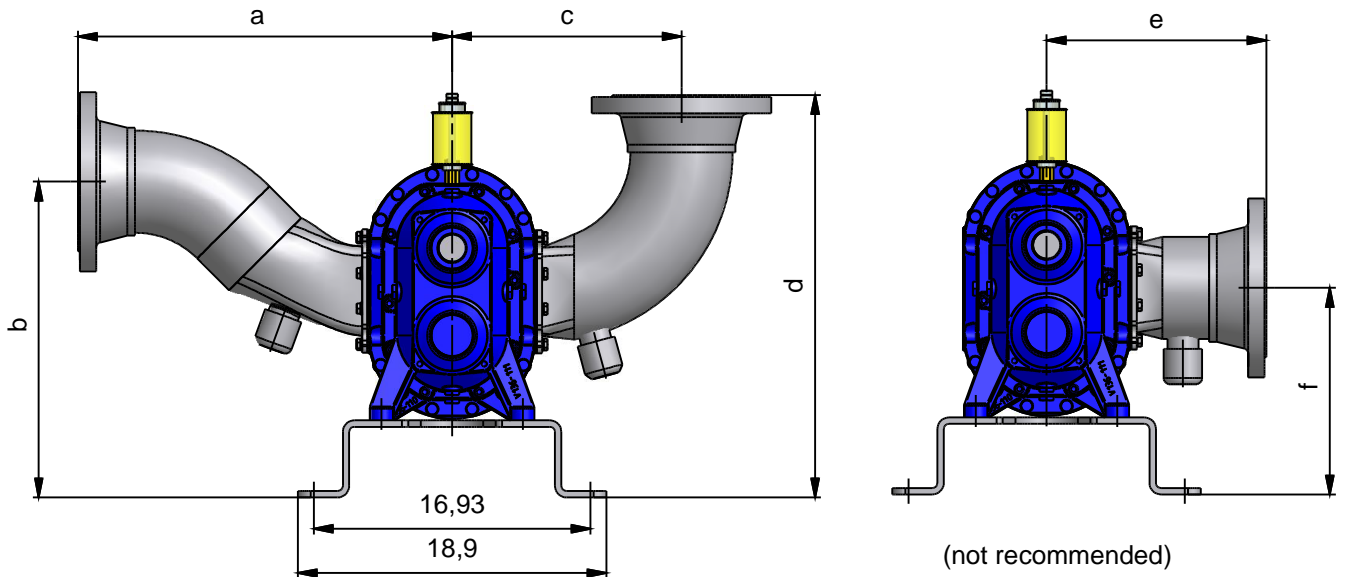
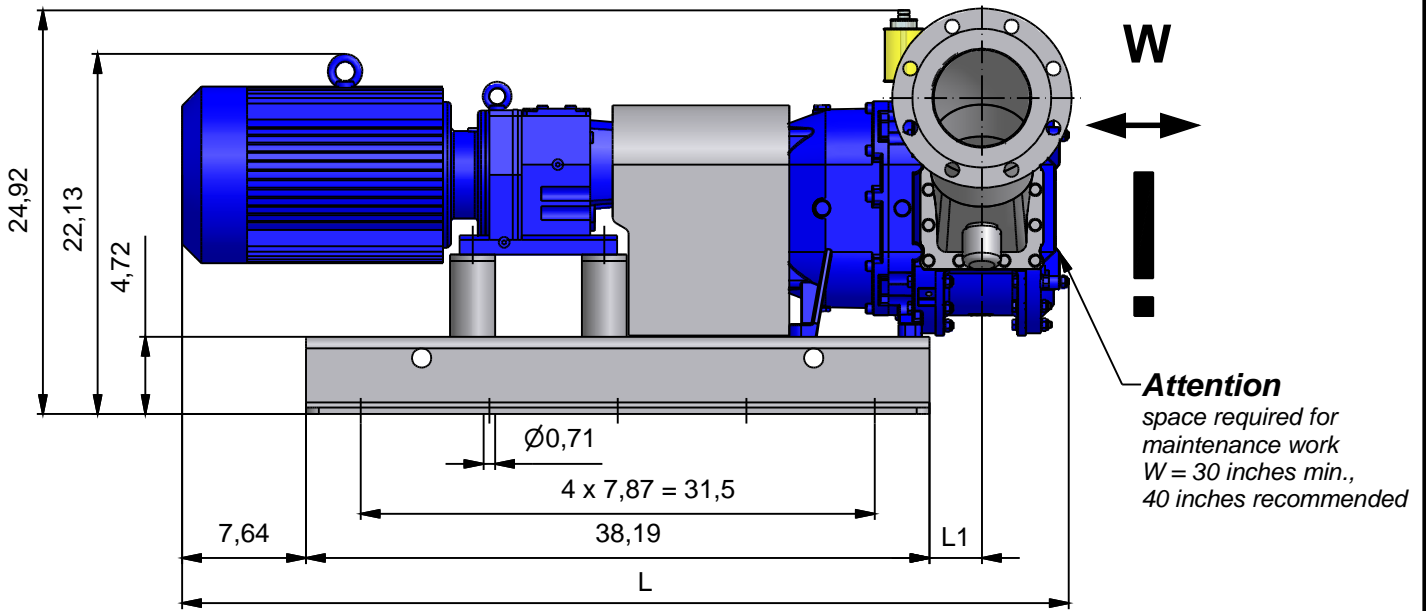
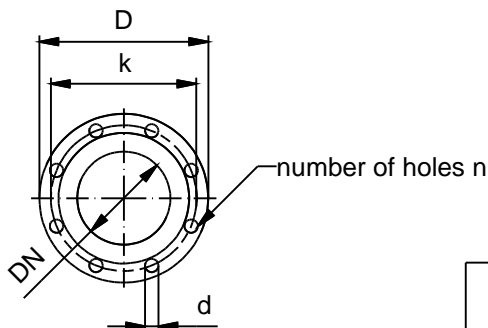


Dimensions Range: VX136Q



size VX136-	pump dimensions		ANSI-flange				gooseneck	90°elbow	straight		weight				
	L1	L	DN	d	D	k			n	a		b	c	d	e
70Q	1,79"	49,41"	4"	0,75"	9"	7,5"	8	17,72"	17,32"	11,02"	21,26"	12,60"	12,6"	595	
105Q	2,48"	50,78"													615
140Q	3,17"	52,17"	6"	0,88"	11"	9,5"		22,84"	19,29"	13,98"	24,64"	13,39"			680
210Q	4,55"	56,92"												750	



size VX136-	connectors					
	gooseneck		90°elbow		straight	
	article-no	pcs.	article-no	pcs.	article-no	pcs.
70Q	GPA.012		GPA.080		GPA.026	
105Q	GPA.060		GPA.081		GPA.070	
140Q	GPA.014		GPA.082		GPA.028	
210Q	GPA.016		GPA.083		GPA.030	

changes of dimensions reserved
 dimensions without indication
 of tolerances acc. to DIN ISO 2768, rough

Vogelsang USA
 7966 State Route 44
 P. O. Box 751
 Ravenna, OH 44266 USA
 © Copyright
 dimensions shown in inches
 fabrication tolerance is ± .12"



Drawing No.: IZ0400969 R: 1
 Drawn By: Lohrey Date: 07.04.2004
 checked By: Date: