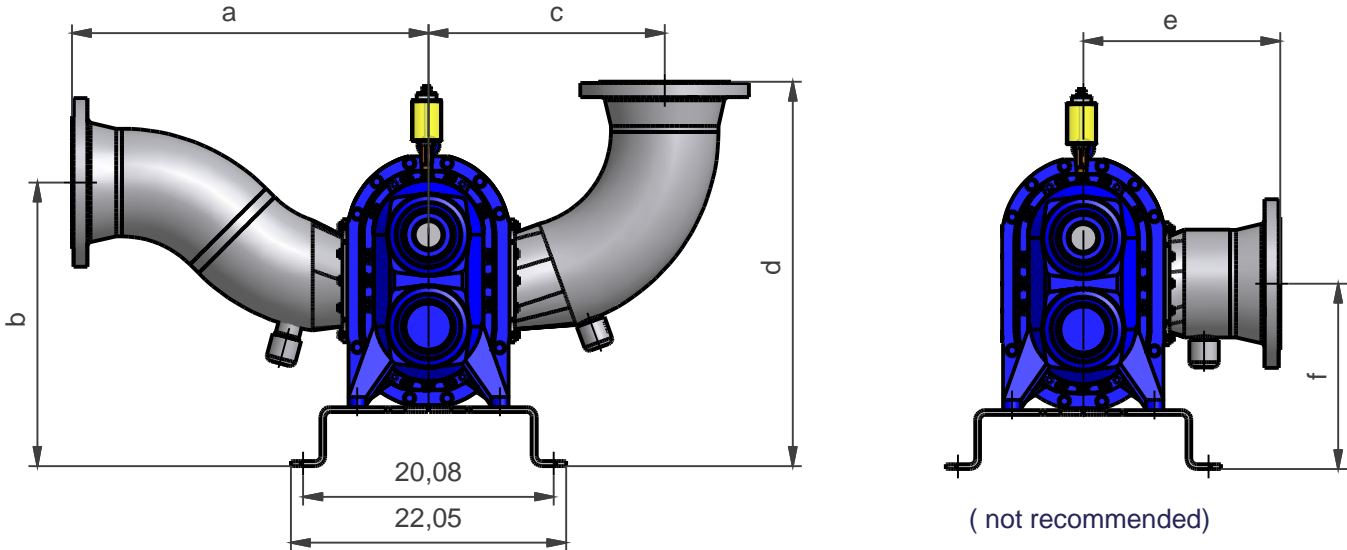
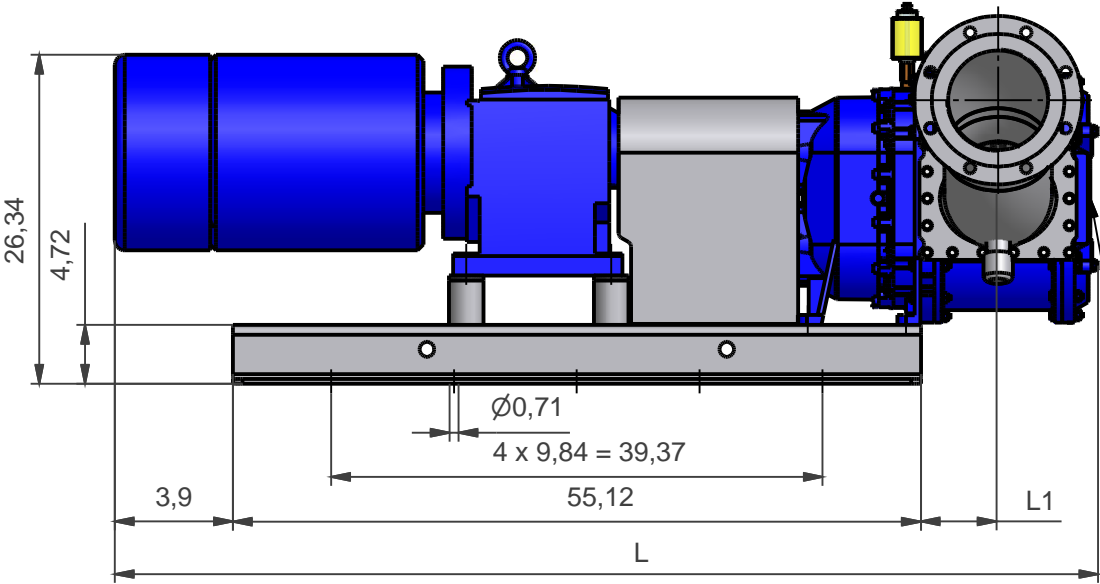
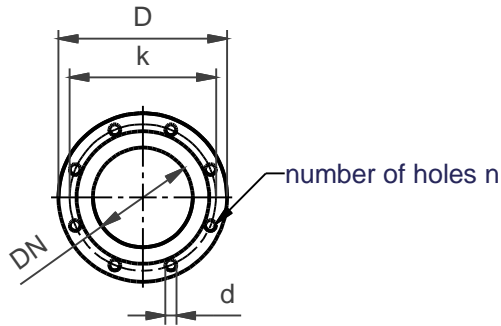


Dimensions Range: VX186Q



size VX186-	pump dimensions		ANSI - flange					gooseneck		90° elbow		straight		weight (lb)
	L1	L	DN	d	D	k	n	a	b	c	d	e	f	
92Q	2,93"	66,08"	6"	0,88"	11"	9,5"	8	19,09	21,54"	15,35"	26,85"	14,76"	14,84"	1295
130Q	3,68"	67,58"						24,21"						1335
184Q	4,74"	69,70"	8"	13,5"	11,75"	12	28,54"	22,72"	18,90"	30,79"	15,75"	17,72"	1385	
260Q	6,24"	72,70"					25,24"						1510	
368Q	on request	on request	10"	1"	16"	14,25"	12	25,24"	28,38"	33,85"	17,72"	on request		

size VX186-	connectors					
	gooseneck		90° elbow		straight	
	article-no	pcs.	article-no	pcs.	article-no	pcs.
92Q	GPA.150		GPA.160		GPA.170	
130Q	GPA.151		GPA.161		GPA.171	
184Q	GPA.156		GPA.162		GPA.176	
260Q	GPA.157		GPA.163		GPA.177	
368Q	GPA.149		GPA.132		GPA.178	



changes of dimensions reserved
dimensions without indication of tolerances
acc. to DIN ISO 2768, rough

Vogelsang USA
7966 State Route 44
P. O. Box 751
Ravenna, OH 44266 USA

© Copyright

VOGELSANG

Drawing No.: IZ0401732 R:

Drawn By: Lohrey Date: 10.06.2004

checked By: Date:

dimensions shown in inches
fabrication tolerance is $\pm .12$