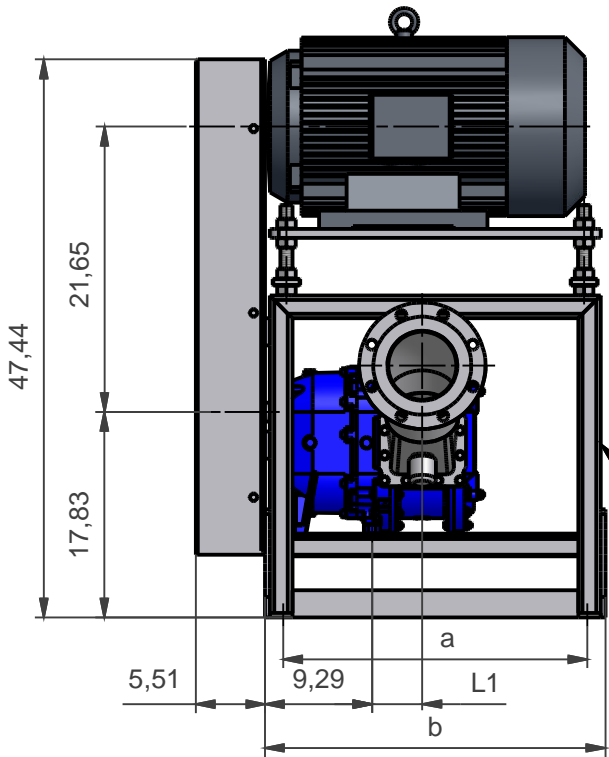


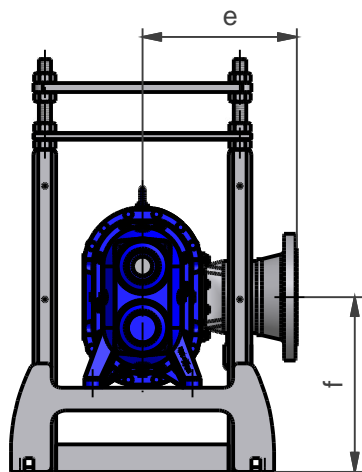
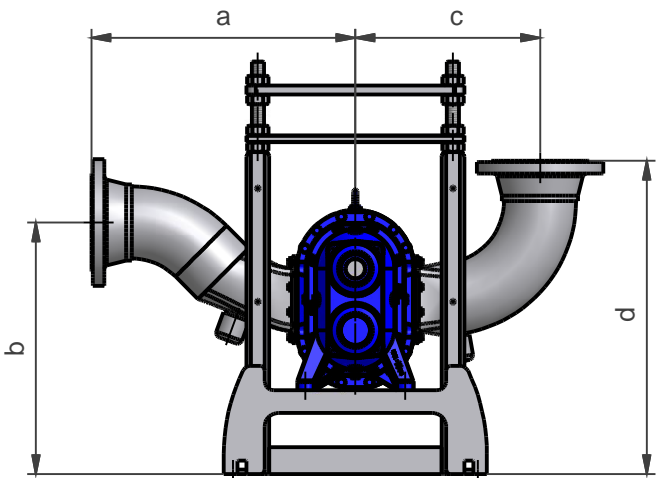
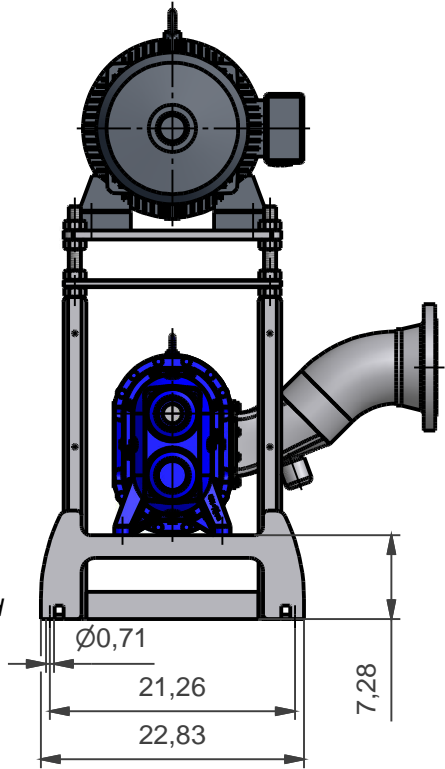
Dimensions Range: VX136 Q



W



Attention
space required for
maintenance work
W = 30 inches min.,
40 inches recommended

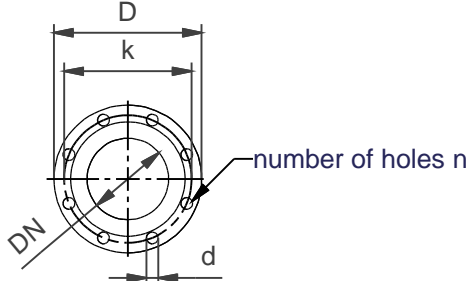


(not recommended)

size VX136 -	pump dimensions L1	ANSI - flange					gooseneck	90°elbow		straight		weight lb	
		DN	d	D	k	n		a	b	c	d		e
70 Q	2,97"	4"	0,75"	9"	7,5"	8	17,72"	19,88"	15,94"	23,82"	12,60"	15,16"	1055
105 Q	3,66"												
140 Q	4,35"	1210											
210 Q	5,73"												

size VX136 -	gooseneck		90°elbow		straight	
	article-no	pcs.	article-no	pcs.	article-no	pcs.
70 Q	GPA.012		GPA.080.A		GPA.026	
105 Q	GPA.060		GPA.081.A		GPA.070	
140 Q	GPA.014		GPA.082.A		GPA.028	
210 Q	GPA.016		GPA.083.A		GPA.030	

size VX136 -	piggy back		
	article-no	a	b
70 Q	GBO.187.TV	26,38"	29,53"
105 Q			
140 Q			
210 Q			



changes of dimensions reserved
dimensions without indication of tolerances
acc. to DIN ISO 2768, rough

Vogelsang USA 7966 State Route 44 P. O. Box 751 Ravenna, OH 44266 USA			VOGELSANG
© Copyright			
dimensions shown in inches fabrication tolerance is ± .12"		Drawn By: Lohrey	Date: 04.06.2004
		checked By:	Date: