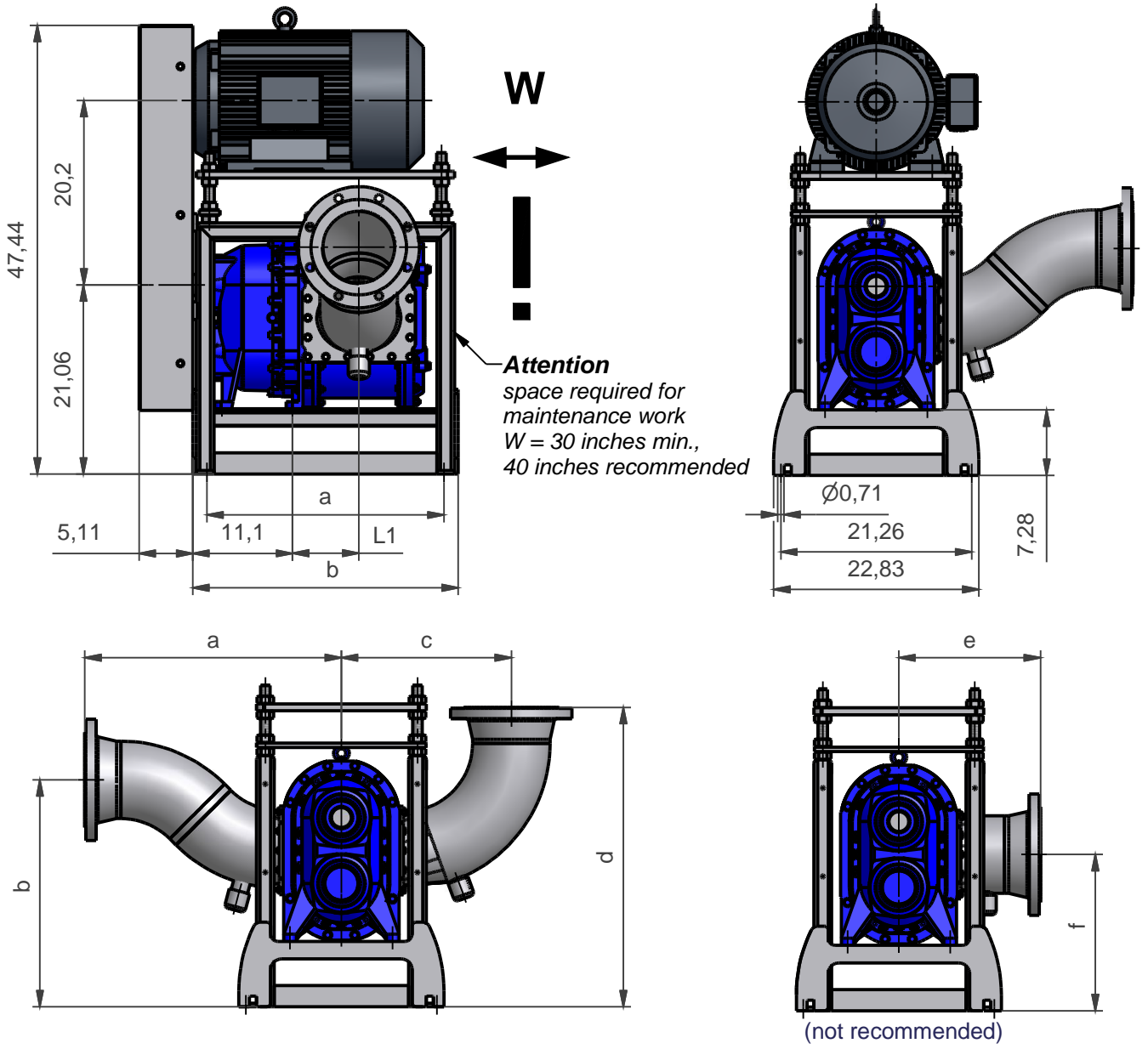


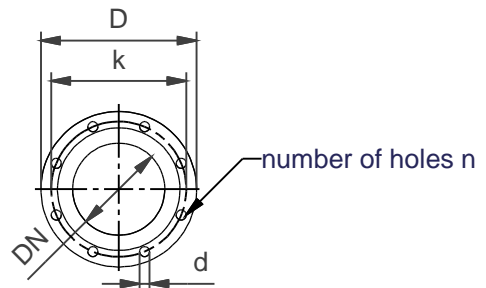
Dimensions Range: VX186Q



size VX186-	pump dimensions L1	ANSI-flange					gooseneck		90° elbow		straight		weight (lb)		
		DN	d	D	k	n	a	b	c	d	e	f			
92Q	4,11"	6"	0,88"	11"	9,5"	8	19,09"	24,09"	18,30"	29,41"	14,76"	17,4"	1490		
130Q	4,86"						24,21"						20,27"	33,34"	1575
184Q	5,93"						28,54"						20,27"	33,34"	1720
260Q	7,42"	8"		13,5"	11,75"	12	25,27"	28,39"	36,42"	17,71"	on request				
368Q	9,55"	10"	1"	16"	14,25"							28,39"	36,42"		

size VX186-	connectors					
	gooseneck		90° elbow		straight	
	article-no	pcs.	article-no	pcs.	article-no	pcs.
92Q	GPA.150		GPA.160.A		GPA.170	
130Q	GPA.151		GPA.161.A		GPA.171	
184Q	GPA.156		GPA.162.A		GPA.176	
260Q	GPA.157		GPA.163.A		GPA.177	
368Q	GPA.149		GPA.132		GPA.178	

size VX186 -	piggy back		
	article-no	a	b
92 Q	GBO.187.TV	26,38"	29,53"
130 Q			
184 Q			
260 Q			
368 Q	GBO.187.T1.TV	32,28"	35,43"



Vogelsang USA 7966 State Route 44 P. O. Box 751 Ravenna, OH 44266 USA			
© Copyright		Drawing No.: IZ0401320	
dimensions shown in inches fabrication tolerance is ± .12"		Drawn By: Lohrey	Date: 05.05.2004
		checked By:	Date:

changes of dimensions reserved dimensions without indication of tolerances acc. to DIN ISO 2768, rough