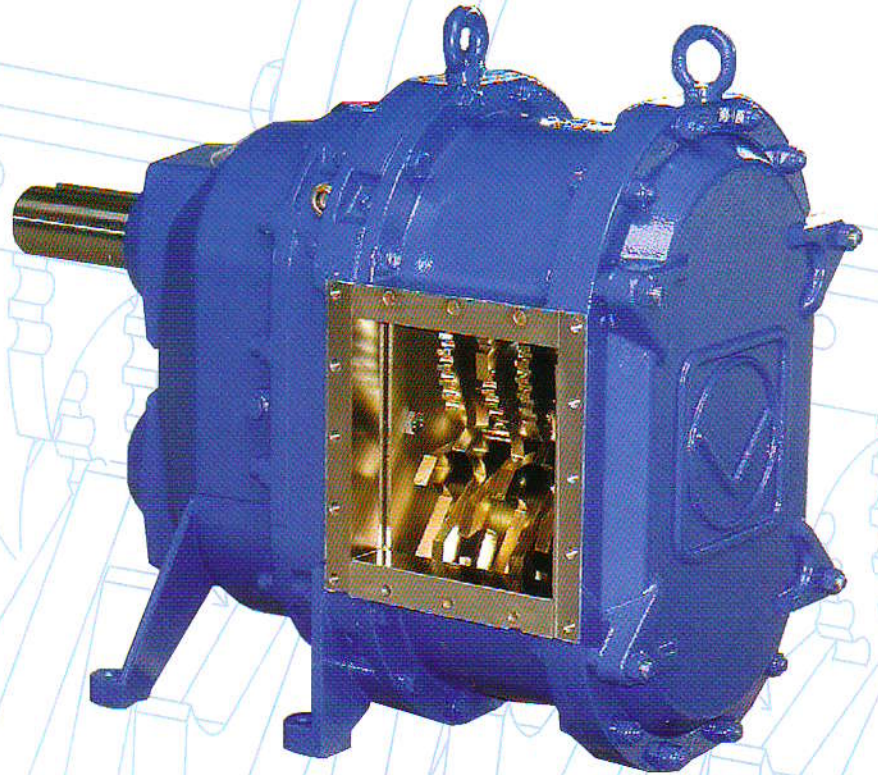


 **VOGELSANG**

The concept for maximum lifetime



# X - R i p p e r

**Crush**

**Without**

**Compromises**

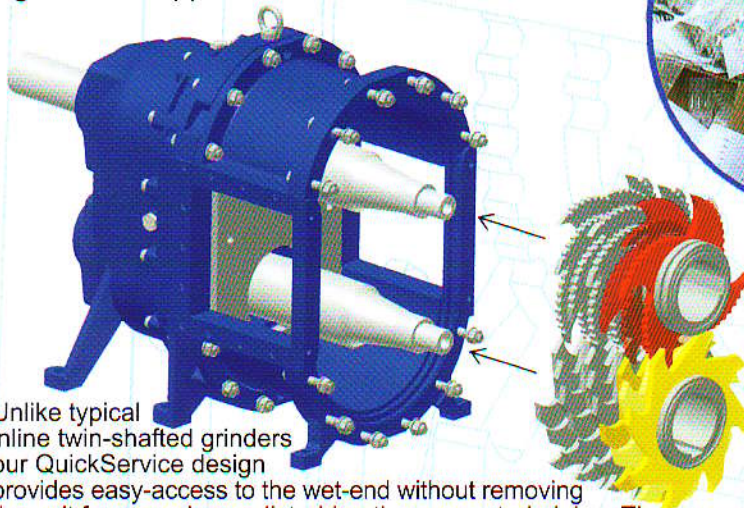
# X-Ripper makes the Cut!

## A Macerator for many applications.

X-Ripper is perfect for inline applications where solids suspended in a liquid have to be reduced to a specific size suitable for downstream pumps and processing equipment. The compact twin-shaft design provides an economic option for chopping large volumes of solids.

Applications Include:

Recycling Plants  
Sewage Disposal  
Sewage Treatment Plants  
Bio-waste Recycling  
Leftover Utilization  
Slaughterhouses  
Food Industry  
Chemical Industry  
Bio-gas Plants  
Agricultural Applications



Unlike typical inline twin-shafted grinders our QuickService design provides easy-access to the wet-end without removing the unit from service or disturbing the connected piping. The cutting elements can be serviced or replaced inline without sending them back to the factory for reconditioning.

## Aufbau

The X-Ripper is based on the proven Vogelsang rotary lobe pump design and uses many of the same components. The pinion cutters are made of special steel and mesh together to reduce solids to the desired size. Like our pumps, we offer a Q and a QD version. The standard Q version offers easy inline maintenance to the wet-end by simply removing the front cover. The QD features a second set of bearings on the outboard ends of the shafts. This design allows higher capacities and higher pressures with minimum wear while still allowing easy inline maintenance.

## Function

Using a variable revolution rate, relative speed of the cutters, the X-Ripper easily reduces long-fibrous materials. The sharp tips and edges cut the solids while the rough surface between the cutters grinds objects. The degree of the overall macerating action is adjusted by selecting different cutter geometries as well as unit speed.

[www.vogelsang-gmbh.com](http://www.vogelsang-gmbh.com)



### Vogelsang Maschinenbau GmbH

Holthöge 10-14 · D-49632 Essen (Oldb.) · Tel.: +49 - 54 34 830 · Fax: +49 - 54 34 83 10  
e-mail: [info@vogelsang-gmbh.com](mailto:info@vogelsang-gmbh.com) · Internet: [www.vogelsang-gmbh.com](http://www.vogelsang-gmbh.com)

### Filiale: Vogelsang Rothenschirmbach

Gewerbegebiet Rothenschirmbach Nr. 8 · D-06295 Lutherstadt Eisleben  
Tel.: +49 - 3 47 76 2 05 81 · Fax: +49 - 3 47 76 2 05 82 · E-mail: [rsb@vogelsang-gmbh.com](mailto:rsb@vogelsang-gmbh.com)

### Vogelsang USA Ltd.

7966 State Route 44 · Ravenna, OH 44266 · USA  
Tel.: +1- 330 296 3820 · Fax: +1- 330 296 4113  
e-mail: [sales@vogelsangusa.com](mailto:sales@vogelsangusa.com) · Internet: [www.vogelsangusa.com](http://www.vogelsangusa.com)

### Vogelsang Miljøteknik A/S

Industriparken 2 · DK - 6880 Tarm  
Tel.: +45 - 9737 2777 · Fax: +45 - 9737 3077 · e-mail: [vogelsang@adr.dk](mailto:vogelsang@adr.dk)

### Vogelsang Ltd.

Unit 13, Cobden Ind. Est · Quakers Coppice, Crewe Gates GB Crewe, Cheshire, Cw1 6EW  
Tel.: +44 - 1270 216 600 · Fax: +44 - 1270 216 699  
e-mail: [sales@vogelsang.co.uk](mailto:sales@vogelsang.co.uk) · Internet: [www.vogelsang.co.uk](http://www.vogelsang.co.uk)

### Vogelsang France S.A.R.L.

Zone Artisanale de Fontgrève · F - 26740 Montboucher Sur Jabron  
Tel.: +33 - 4 75 52 74 50 · Fax: +33 - 4 75 52 76 61 · e-mail: [info@vogelsang.fr](mailto:info@vogelsang.fr) · Internet: [www.vogelsang.fr](http://www.vogelsang.fr)

### Vogelsang Italy Srl

Via A. de Gasperi, 25 · IT - 26025 Pandino (CR)  
Tel.: +39 - 03 73 22 03 12 · Fax: +39 - 0 37 39 10 87 · e-mail: [info@vogelsang-srl.it](mailto:info@vogelsang-srl.it) · Internet: [www.vogelsang-srl.it](http://www.vogelsang-srl.it)

### Vogelsang Poland Sp. z o.o.

ul. Grota Roweckiego 168 · PL - 52-214 Wrocław  
Tel. +48 - 71 798 95 80 · Fax: +48 - 71 798 95 82 · e-mail: [info@vogelsang.pl](mailto:info@vogelsang.pl) · Internet: [www.vogelsang.pl](http://www.vogelsang.pl)

### Vogelsang Baltic

Kniaudiskiu g. 46-62 · LT - 37122 Panevezys  
Tel. + Fax: +370 - 45 51 73 88 · e-mail: [grienas@vogelsang-gmbh.com](mailto:grienas@vogelsang-gmbh.com)

### Vogelsang Malaysia

24, Jalan Ara SD 7/3D · Bandar Sri Damansara · 52200 Kuala Lumpur Malaysia  
Tel.: +60 - 3 62 72 91 87 · Fax: +60 - 3 62 72 91 87 · e-mail: [chan@vogelsang-gmbh.com](mailto:chan@vogelsang-gmbh.com)